

CLM CLAMOD

DATA SHEET



GENERAL
IP66



CLASS I



CLASS II
optional



IK08
IK09



CLM.

The **Clamod** series is designed and manufactured by Carandini for urban environments. The CLAMOD luminaire has a functional design that's perfect for lighting parks, parades, streets and other environments.



Features

- Aesthetic integration with all kinds of street furniture.
- Easy to fit.
- Robust: IP66 + IK08/IK09.

Applications

- Residential areas
- Town squares
- Walkways
- Gardens
- Pedestrian areas
- Roads with moderately heavy traffic
- Parks
- Historic urban centres

Technical characteristics

Body	Pressure die-cast LM6 aluminium (EN AC-44100 AISI12) with low copper content (<0.1%).
Canopy	Pressure die-cast LM6 aluminium (EN AC-44100 AISI12) with low copper content (<0.1%).
Reflector	"CC" and "GC" One-piece anodized and sealed aluminum, longitudinal asymmetrical distribution.
Enclosure	'GC' curved tempered glass. 'CC' flat tempered glass.
Mounting	Available in two configurations, depending on the application: 'CLM-V' Vertical bracket or post mount, bore of Ø 28 mm for 3/4" thread x 40 mm. 'CLM-S' Suspended via adapter in zinc-plated steel 3/4" thread x 40 mm.
Finish	Powder coat matte black textured RAL 9005. Other colours subject to surcharge, please enquire.
Electrical Specification	. CI => Electrical class I. Can be configured to electrical protection Class II. (.CII). Input voltage => (210-240 V) (50 Hz-60 Hz)
Watertightness	As per EN 60529, luminaire is watertight to IP66.
Impact protection grade	As per EN 62262, impact protection grades IK08, IK09.
Operating temperature	-20°C to 35°C.
Weight without control gear	CLM-V/GC and /CC: 6 kg
Wind exposure area	Between 0.077 and 0.141 m ²

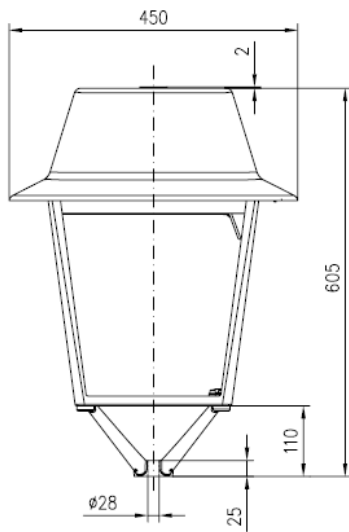
Standard compliance

Luminaire standards => UNE EN 60598-1:2009 y UNE EN 60598-2-5:1999

Electromagnetic compatibility => UNE EN 55015:2013, UNE EN 61000-3-2:2014, UNE EN 61000-3-3:2013

Dimensions

CLM-V

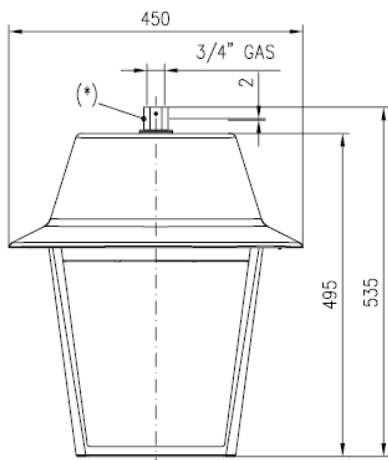


CLM-V/CC



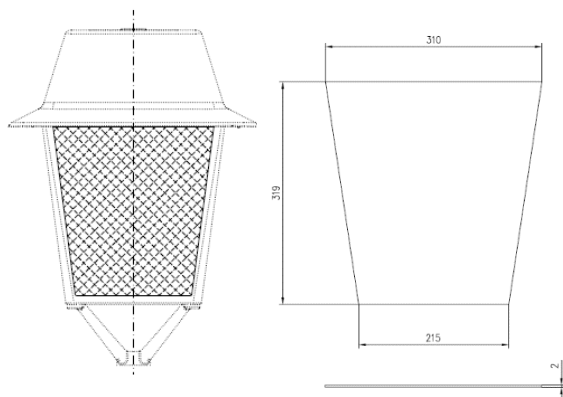
CLM-V/GC

CLM-S

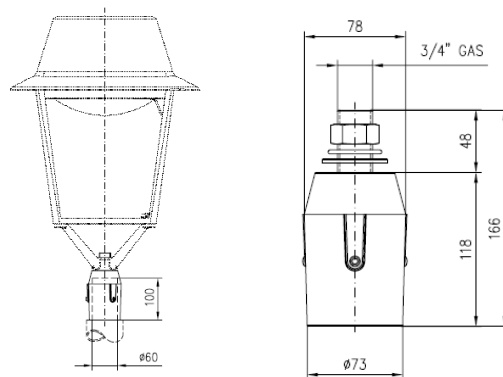


Accessories

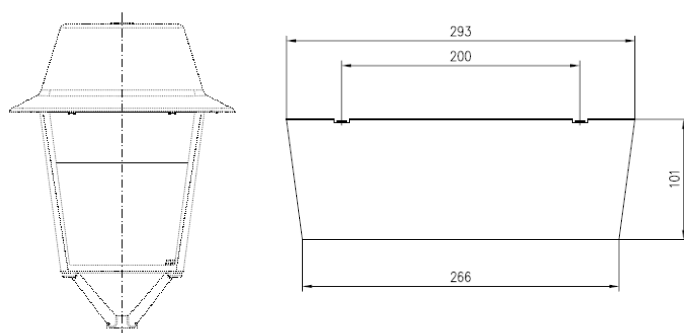
CDP- Diffuser



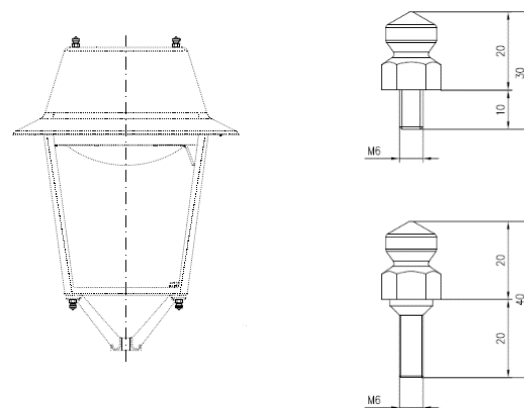
CFV-60- Coupler



CLI- Anti-glare attachment



CRL- 4 + 4 finial set



CRS- Crown

