

JNR JUNIOR



Junior is a series of luminaires designed and built by Carandini for urban environments. Thanks to its functional design, different versions and available accessories, it has become perfectly integrated in lighting for parks, promenades, streets and other amenity installations.

Features a latest-generation, high-performance, high-efficiency discharge technology developed as a universal modular solution. With the adoption of this technology Carandini can offer a solution which combines excellent optical output with increased energy efficiency.



Characteristics

- Aesthetic integration with all kinds of street furniture.
- Easy to fit.
- Robust: IP66 + IK10.

Applications

- Residential areas
- Town squares
- Walkways
- Gardens
- Pedestrian areas
- Roads with moderately heavy traffic
- Parks

Technical features

Body	Pressure die-cast LM6 aluminium (EN AC-44100 AISI12) with low copper content (<0.1%).
Canopy	Shallow canopy in spun aluminium plate 1050-E S/UNE 38117.
Reflector/ Optical distribution	Textured anodized aluminium. "Q" Asymmetric vertical "DS" all-round symmetric
Maintenance	Access to lamp and control gear from top.
Enclosure	".CC" flat toughened glass. ".GC" Lens-shaped toughened glass.
Lampholder	in high-quality porcelain set in a galvanized sheet steel mount allowing adjustment for different beam distribution patterns, according to lamp type and power. Internal cavities allow lamp holder to be positioned according to the different types of reflector.
Mounting	Available in two configurations, depending on the application: "JNR-V" Supplied with double vertical arm and spigot mounting Ø 60 x 100 mm. "JNR-H" Supplied without mounting. Please indicate one.
Mounting accessories	ACL.JNR.BHM => Horizontal wall bracket Ø 60 x 100 mm. (always on JNR.H) ACL.JNR.BVM => Vertical wall bracket Ø 60 mm x 100 mm. ACL.JNR.JFL-60 => Side mounting Ø 60 mm x 100 mm. ACL.JNR.JFVD-60 => Double vertical mounting Ø 60 mm x 100 mm. ACL.JNR.JFVS-60 => Single vertical mounting Ø 60 mm x 100 mm. For diameter 76 mm, check code.
Finish	Polyester powder coating matte grey RAL 9006 or textured grey RAL 7015. Other colours subject to surcharge, please enquire.
Electrical specification	CI => Electrical class I. Can be configured to electrical protection Class II. (.CII). Input voltage => (230 V) (50 Hz).
Watertightness	Luminaire is watertight to IP66 under EN 60529.
Impact protection grade	As per EN 62262, impact protection grade IK10.
Operating temperature	-20°C to 35°C.
Weight with gear	JNR.H => 9.7 kg. JNR.V => 12 kg.
Windage:	0.105 m ² 0.138 m ²
F.H.S	"GC" and "CC" enclosures 0% and "M" enclosure 0.012%. With HPS 150W T 0°.
Power (W)	Control gear (W) E27 HPS 70 w/ignitor. EF/T MH 100 EC E40 HPS 100 EF/T HPS 150 T MH 150 T

Standard compliance

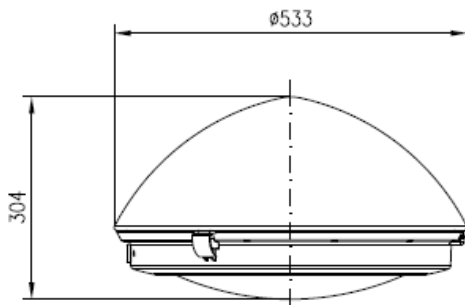
Luminaire standards => UNE EN 60598-1:2009 and UNE EN 60598-2:3

Electromagnetic compatibility => UNE EN 55015:2013, UNE EN 61000-3-2:2014, UNE EN 61000-3-3:2013

Dimensions

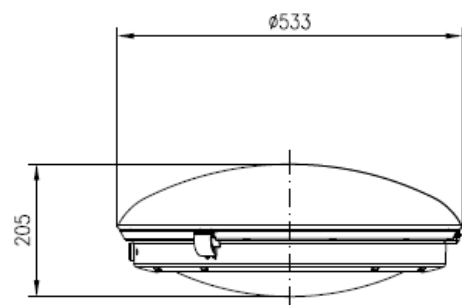
JNR with high canopy:

JNR-H/GC-CA

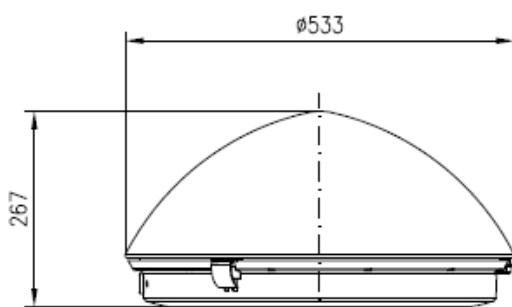


JNR with shallow canopy:

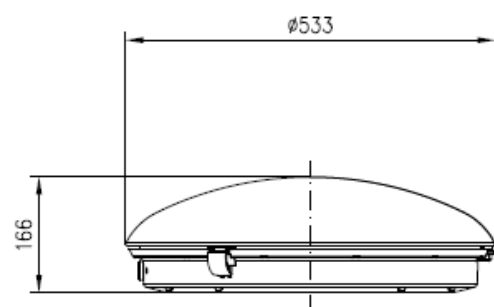
JNR-H/ GC-CB



JNR-H/ CC-CA



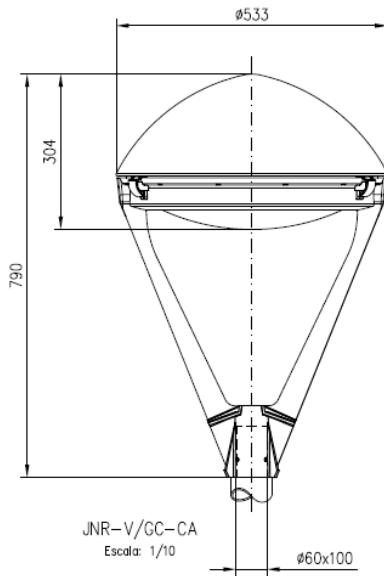
JNR-H/CC-CB



Dimensions

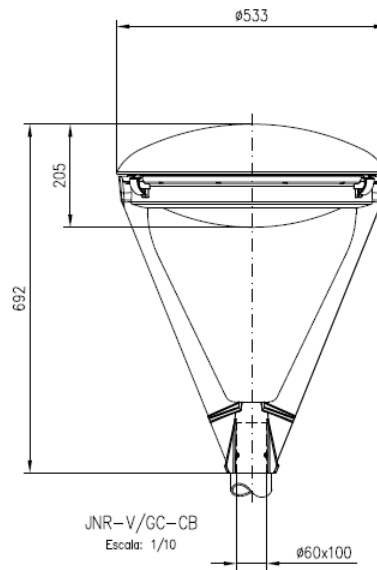
JNR with high canopy:

JNR-V/GC-CA

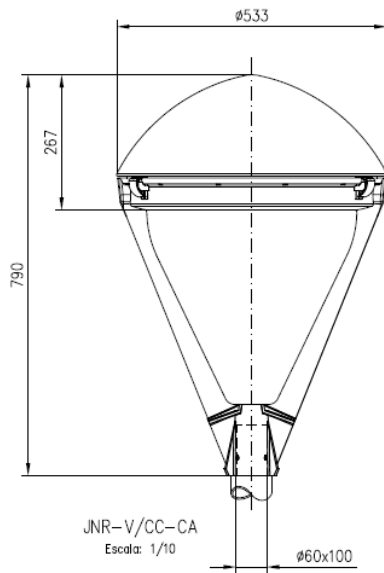


JNR with shallow canopy:

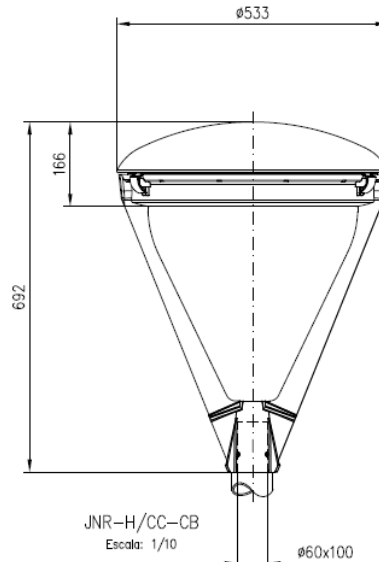
JNR-V/GC-CB



JNR-V/CC-CA

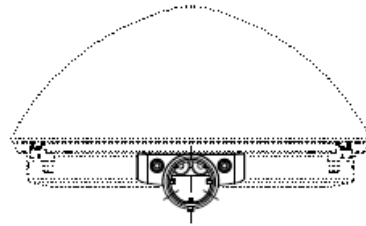
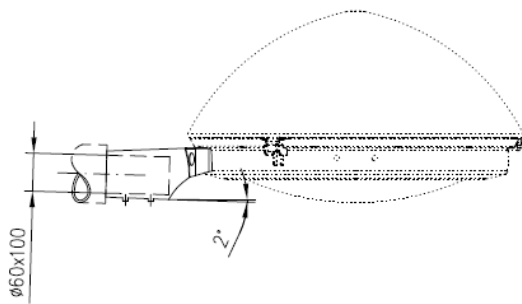


JNR-H/CC-CB

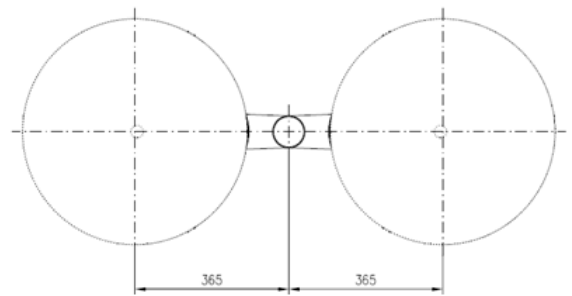
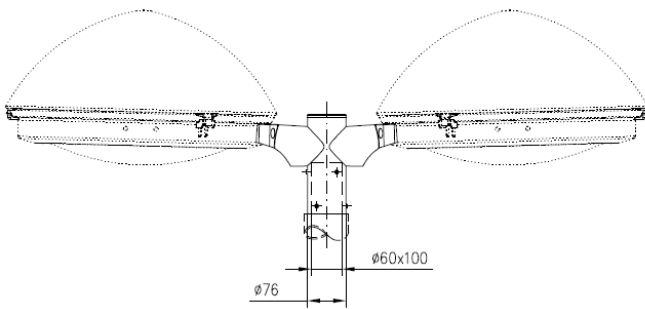


Dimensions

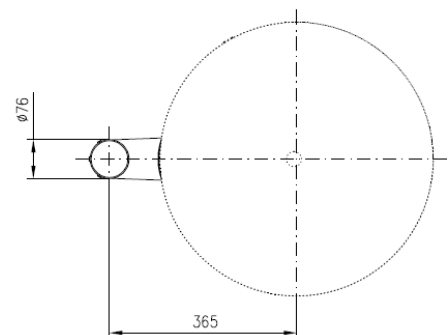
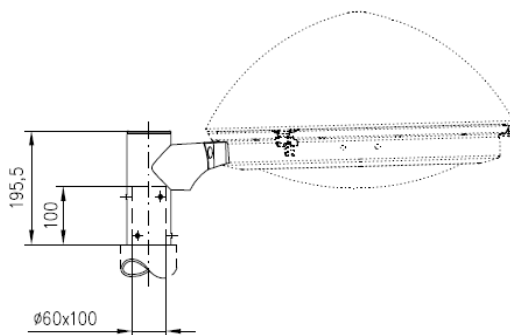
JFL-60_Mounting



JFVD-60_Mounting

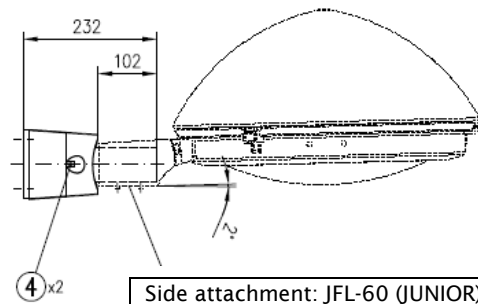
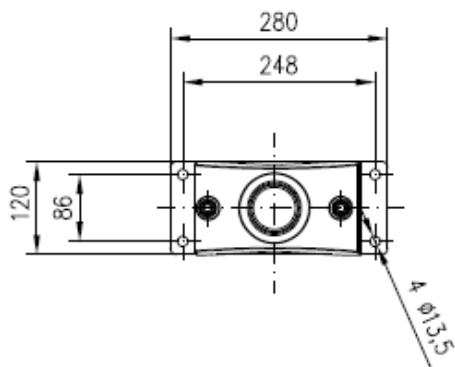


JFVS-60_Mounting

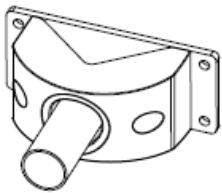


Accessories

Wall bracket: BHM



Side attachment: JFL-60 (JUNIOR)
This piece is necessary for mounting the luminaire



Wall bracket: BVM

