

TNG TANGO



TNG.



The **Tango** range is designed and manufactured by Carandini for urban environments. Thanks to its functional design, different versions and available accessories, it has become perfectly integrated in lighting for façades, monuments, roundabouts, intersections and other outdoor spaces.

Features a latest-generation, high-performance, high-efficiency discharge technology developed as a universal modular solution. With the adoption of this technology Carandini can offer a solution which combines excellent optical output with increased energy efficiency.



Characteristics

- Aesthetic integration with all kinds of street furniture.
- Easy to fit.
- Robust: IP65 + IK10.

Applications

- Direct and indirect lighting in shopping areas.
- Façades, monuments and accent lighting
- Town squares
- Walkways
- Metro and train station concourses

Technical features

| | | |
|---------------------------------------|---|----------------|
| Body | Pressure die-cast LM6 aluminium (EN AC-44100 AISI12) with low copper content (<0.1%). | |
| Cable inlet | Cable inlet via M20 metal gland in bottom of body. | |
| Reflector/optical distribution | Parabolic reflector in anodized sheet aluminium. TNG-400 Symmetrical TNG-400/AS Asymmetrical | |
| Maintenance | Canopy secured to body via safety chain. Gear access from top. Lamp access from bottom. | |
| Enclosure | Toughened glass enclosure, three toggles and gasket. | |
| Lampholder | in high-quality porcelain set in a galvanized sheet steel mount allowing adjustment for different beam distribution patterns, according to lamp type and power. Internal cavities allow lampholder to be positioned according to the different types of reflector. | |
| Mounting | Reinforced galvanized steel stirrup. "TNG-400" Vertical orientation. "TNG-400/AS" vertical and horizontal orientation, depending on position of mounting. | |
| Accessories | Coupling to PRIM column. | |
| Finish | Powder coated silver grey RAL 7040 paint. Other colours subject to surcharge, please enquire. | |
| Electrical specification | CI => Electrical class I. Can be configured to electrical protection Class II. (.CII). Input voltage => (230 V) (50 Hz) | |
| Watertightness | Luminaire is watertight to IP65 under EN 60529. | |
| Impact protection grade | As per EN 62262, impact protection grade IK10. | |
| Operating temperature | -20°C to 35°C. | |
| Weight with gear | TNG-400: 7.5 kg / TNG-400/AS: 7.90 kg. | |
| Windage: | between 0.077 and 0.141 m². | |
| Power (W) | Control gear (W) | E40 |
| | E27 | |
| | MH 100 EF | HPS 100 EF |
| | MH 150 EF | HPS 250 EF |
| | | HPS 400 EF |
| | | MH 250 EF 3A |
| | | MH 400 EF 4.2A |

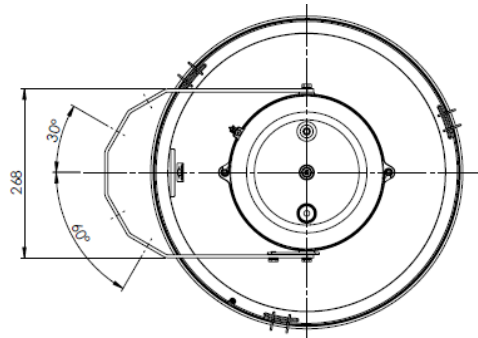
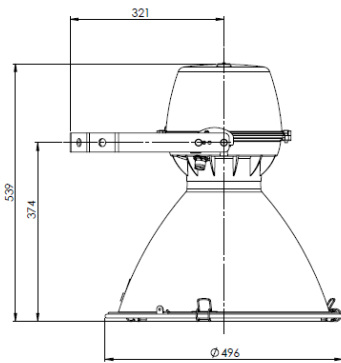
Standard compliance

Luminaire standards => UNE EN 60598-1:2009 and UNE EN 60598-2-5:1999

Electromagnetic compatibility => UNE EN 55015:2013, UNE EN 61000-3-2:2014, UNE EN 61000-3-3:2013

Dimensions

TANGO-400

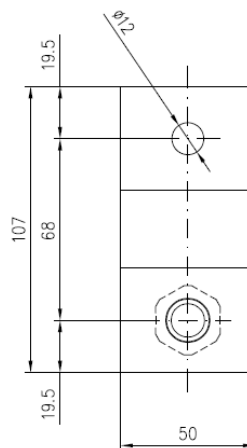


Accessories

Coupling to PRIM column, without crosshead



Section:



Side view: