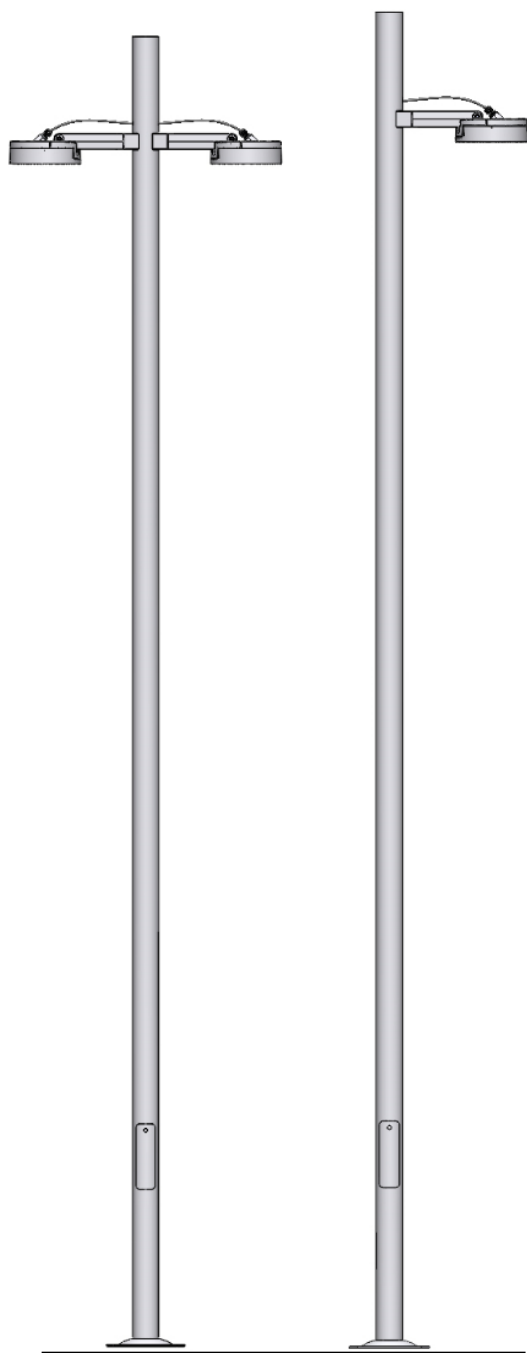


# Spin Cylindrical Column

COL- CC



Cylindrical Spin decorative column, up to 8 m high, with single or double fixing for luminaire by means of a sleeve, and circular finish.

## DESCRIPTION

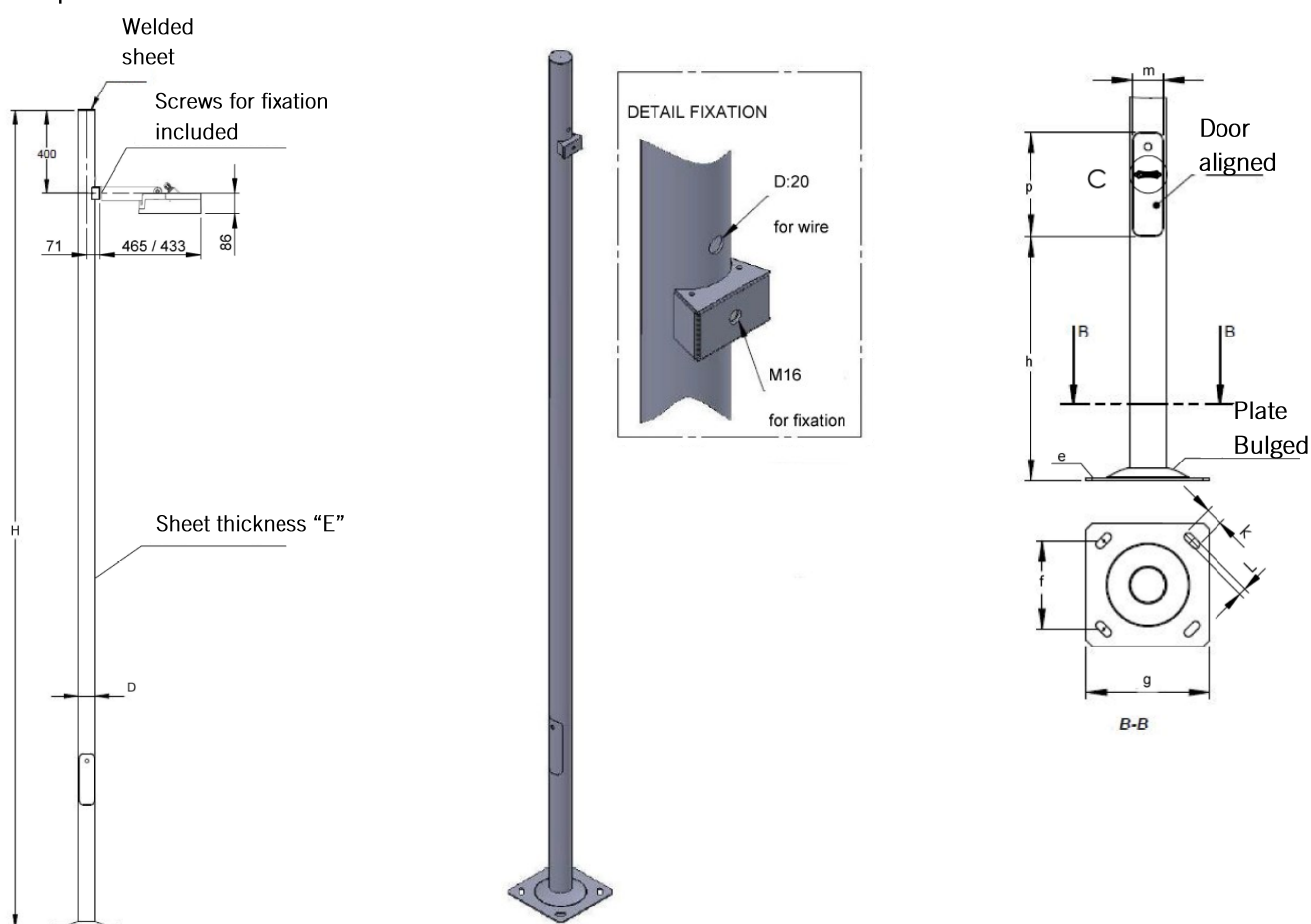
- Cylindrical telescopic shaft column with circular section.
- Manufactured in accordance with UNE EN 40-5.
- Material: Carbon steel S 235 JR according to UNE EN 10219.
- Finish: Hot-dip galvanised in accordance with UNE EN ISO 1461.
- Finished with grey RAL 7015 textured paint (715T).
- Door: Aligned.
- Base: Bulged.
- Special fork boss for Spin BF1 fork.
- Screws included.
- Available heights: 4, 5 and 8 metres.

Model	H (m)	D (mm)	E (mm)	Bolts (included)	Weight
<b>Simple</b>					
COLCCJV040H100EECPA715T	4	90	3	M18x400	40
COLCCJV050H100EECPA715T	5	100	3	M14x400	50
COLCCJV080H100EECPA715T	8	140	3	M16x500	80
<b>Double</b>					
COLCCJV040H200EECPA715T	4	90	3	M18x500	40
COLCCJV050H200EECPA715T	5	100	3	M14x400	50
COLCCJV080H200EECPA715T	8	140	3	M16x400	80

SPIN

## DIMENSIONS (mm)

### Simple



### General size

H (m)	W	D	E
4	-	90	3

### Anchor plate

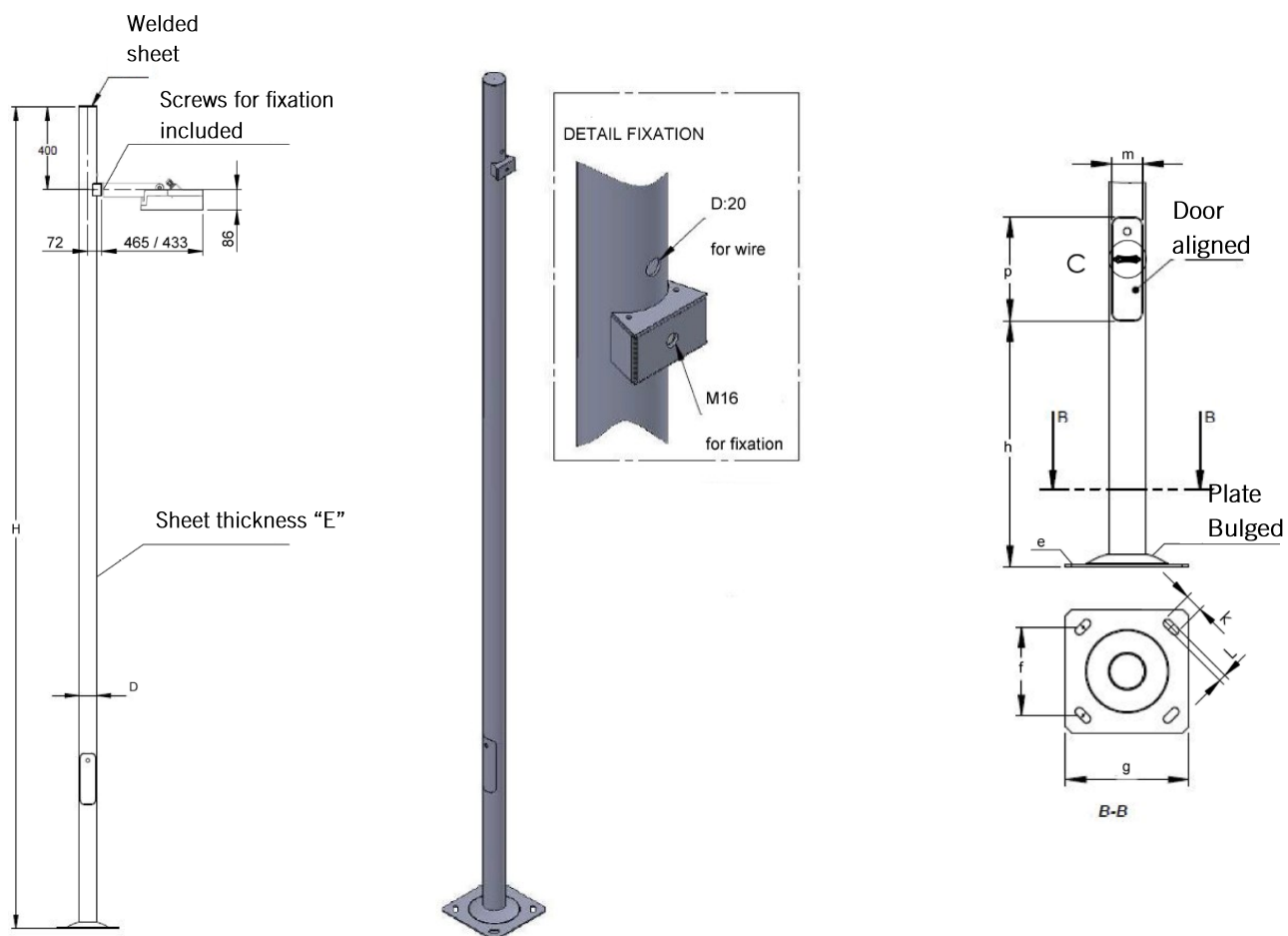
e	f	g	k	L
6	215	300	45	20

### Registry hole

h	p	m	Bolts
600	250	75	M14X400

## DIMENSIONS (mm)

### Simple



### General size

H (m)	W	D	E
5	-	100	3

### Anchor plate

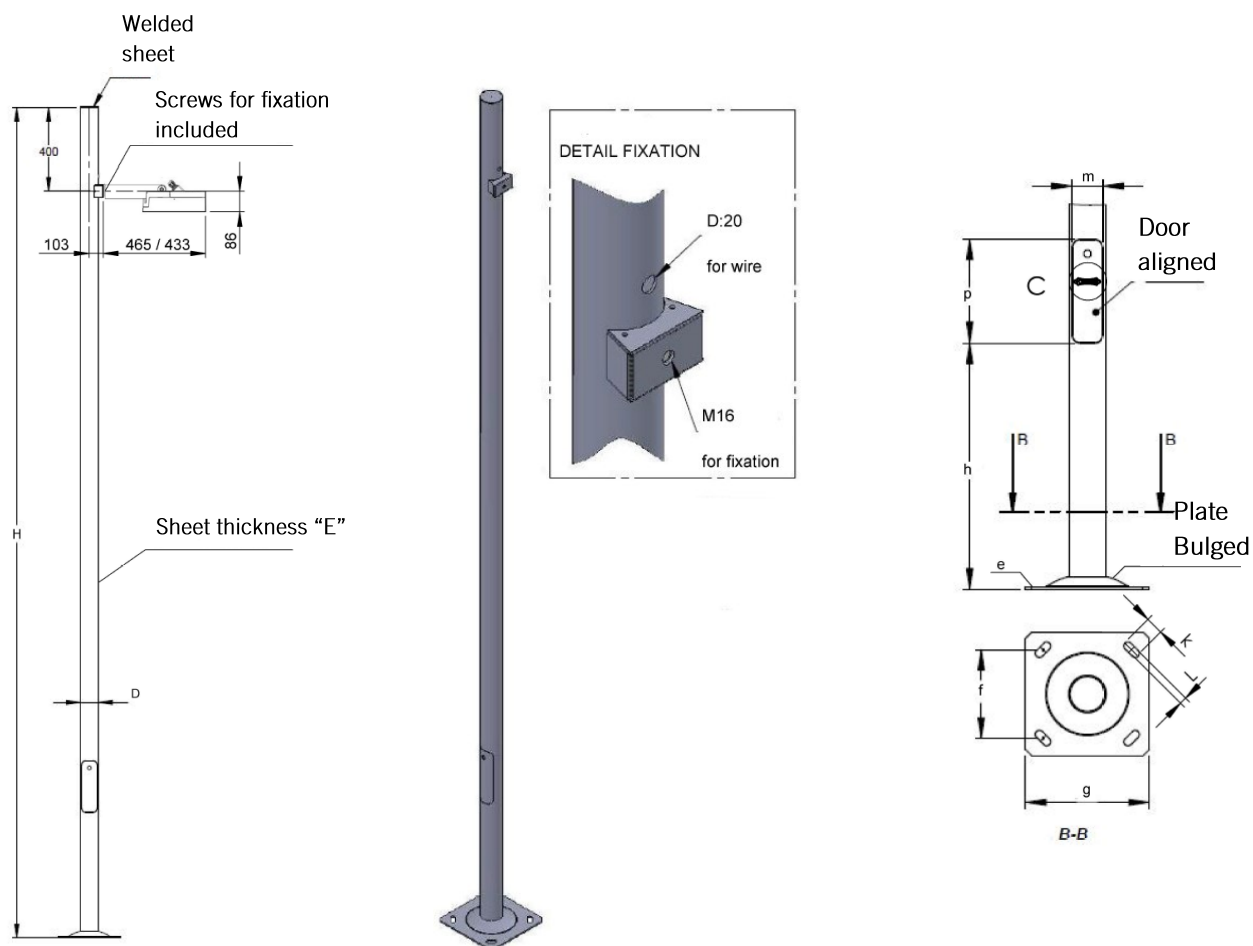
e	f	g	k	L
6	215	300	45	20

### Registry hole

h	p	m	Bolts
600	250	75	M16X500

## DIMENSIONS (mm)

### Simple



### General size

H (m)	W	D	E
8	-	140	3

### Anchor plate

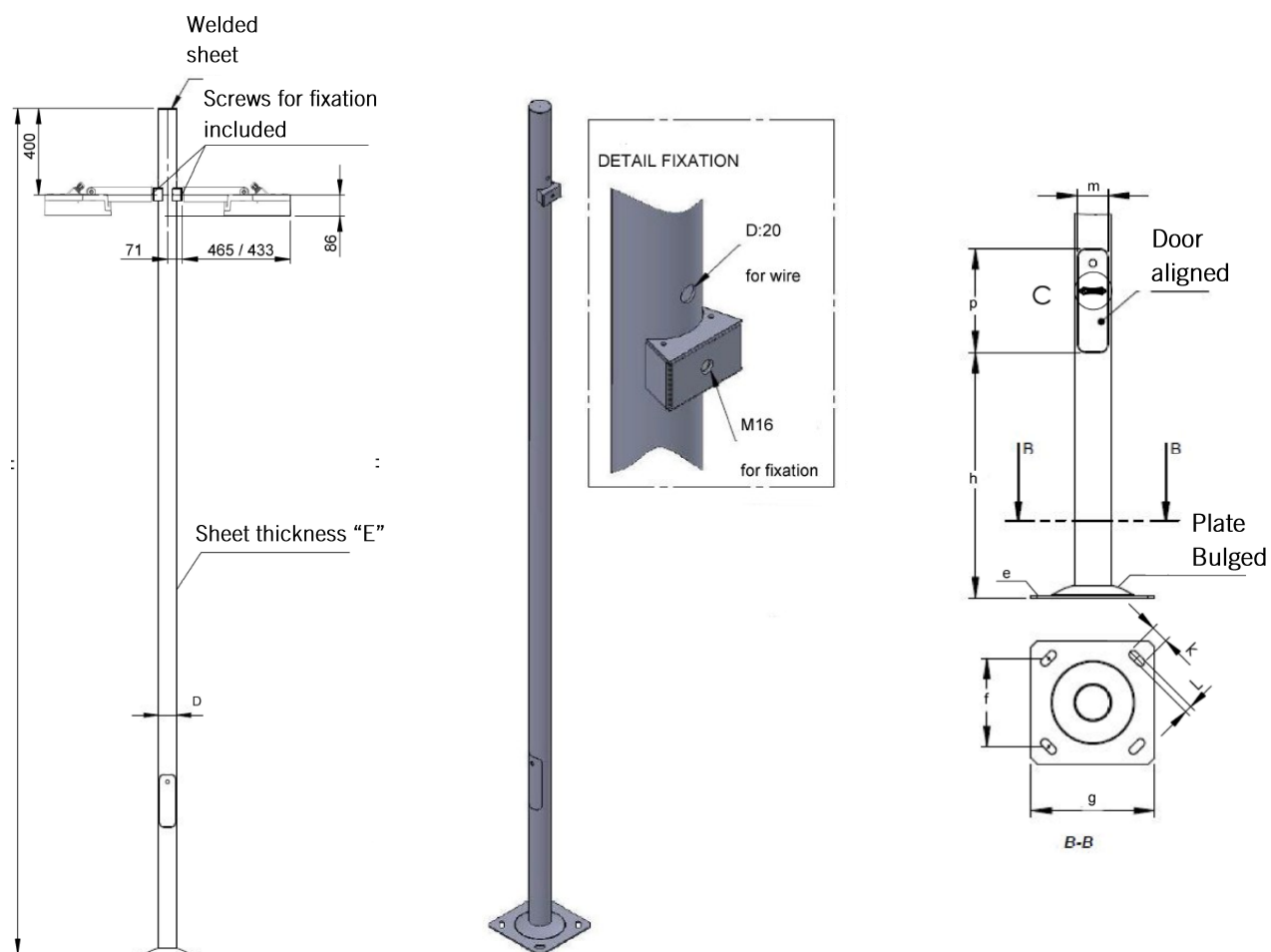
e	f	g	k	L
6	285	400	45	20

### Registry hole

h	p	m	Bolts
600	250	100	M18X500

## DIMENSIONS (mm)

Double



### General size

H (m)	W	D	E
4	-	90	3

### Anchor plate

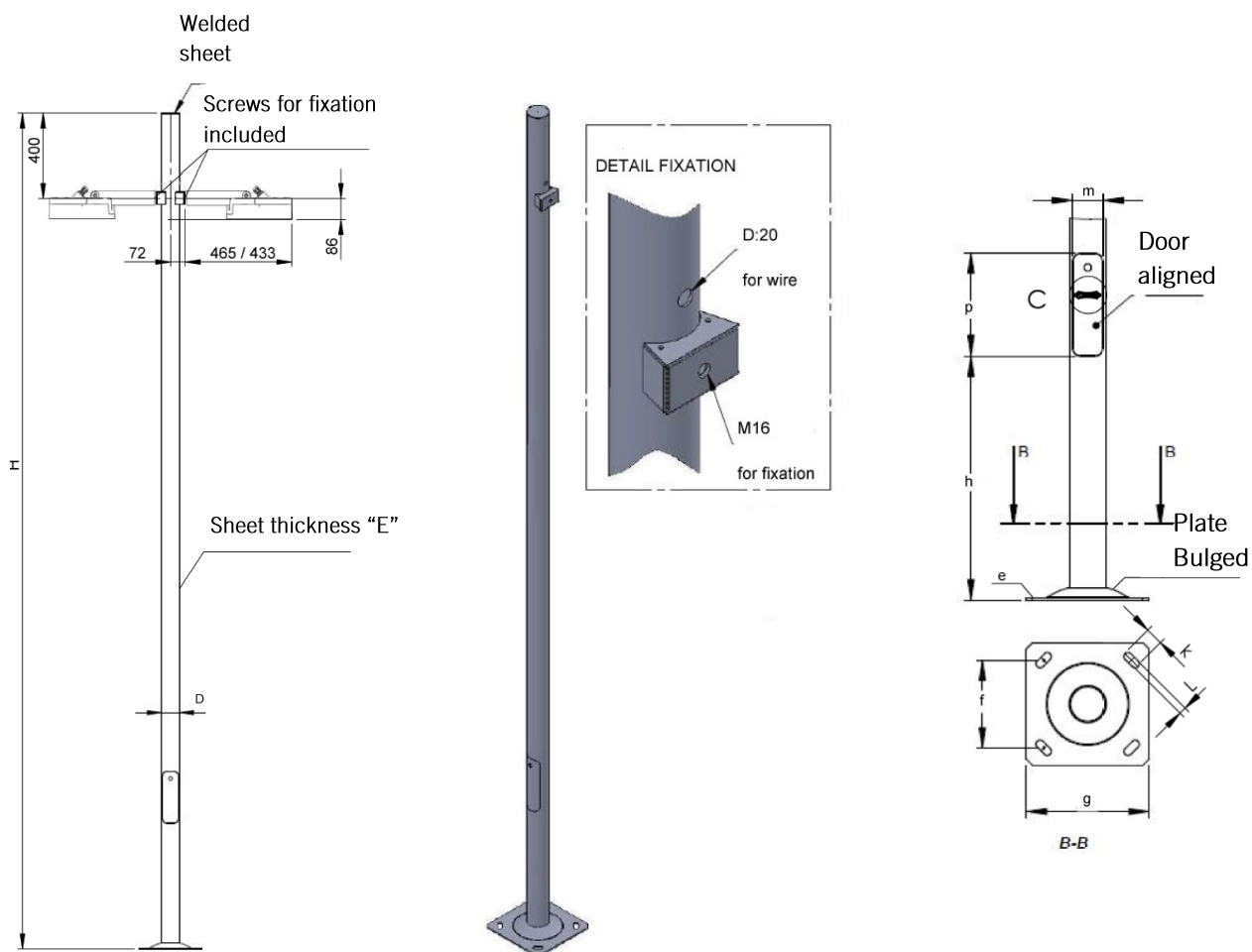
e	f	g	k	L
6	215	300	45	20

### Registry hole

h	p	m	Bolts
600	250	75	M14X400

## DIMENSIONS (mm)

Double



### General size

H (m)	W	D	E
5	-	100	3

### Anchor plate

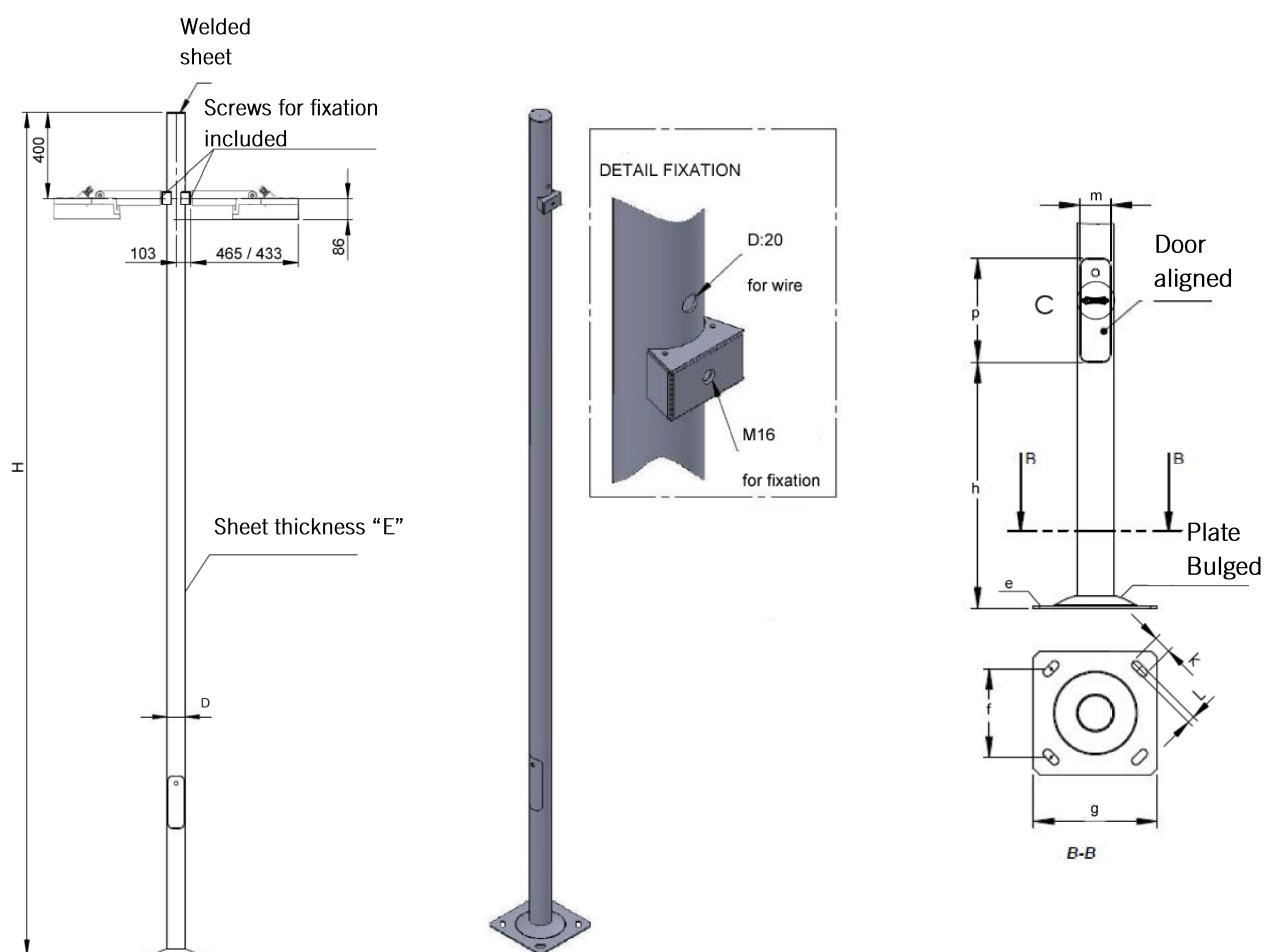
e	f	g	k	L
6	215	300	45	20

### Registry hole

h	p	m	Bolts
600	250	75	M16X400

## DIMENSIONS (mm)

Double



### General size

H (m)	W	D	E
8	-	140	3

### Anchor plate

e	f	g	k	L
6	285	400	45	20

### Registry hole

h	p	m	Bolts
600	250	100	M18X400